

3i CCTV

IP, Integration, Intelligent



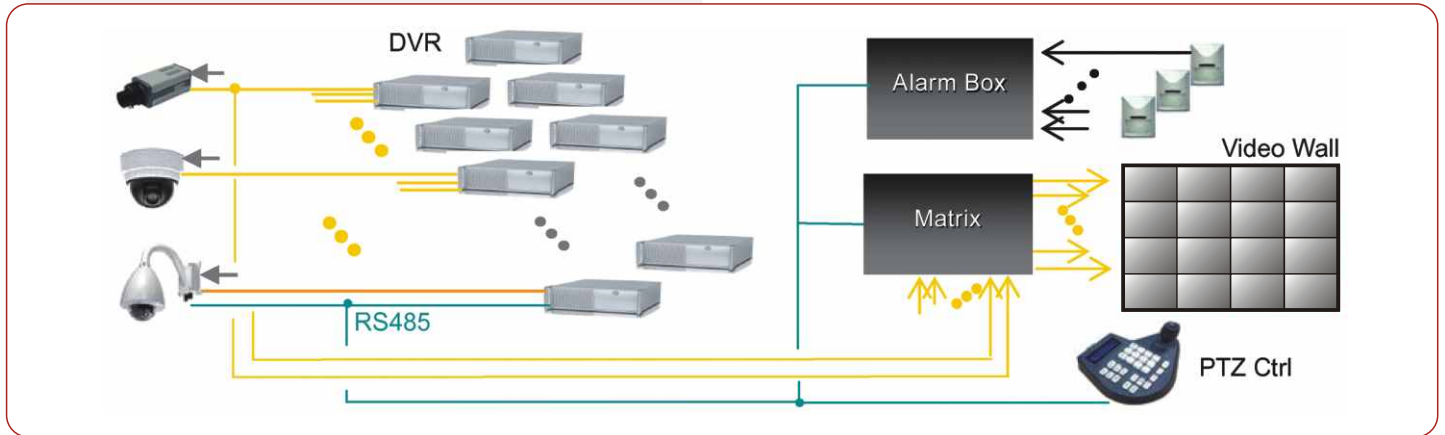
High-Density Video Encoder

Features:

- H.264, Motion-JPEG Video Codec
- Hot Swap Blade Design
- Up to 1,920 fps @D1 Resolution Video Stream
- Up to four (4) Video Streams Simultaneous
- Redundant Power Modules Design
- 4U Height, 19" rack mountable cabinet



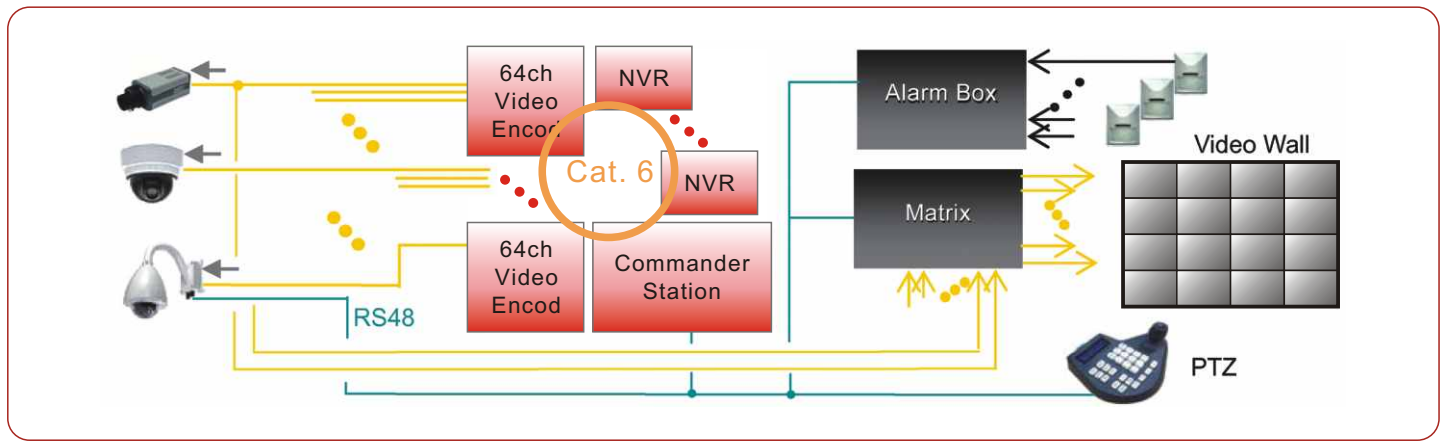
High-Density Analog CCTV system:



Best Way to High-Density IP CCTV:

Equipment Description	System Type	Way to IP World			
		Transition Phase			100% IP CCTV
Analog Camera	Analog	■■■➔	Broken	----	----
Digital Video Recorder	Analog	Broken	----	----	----
Matrix	Analog	■■■■➔		Broken	----
PTZ Controller	Analog	■■■■➔			
Network Video Encoder	IP-based	New	■■■■➔		
Network Video Recorder	IP-based	New	■■■■➔		
Commander Station Ultimate	IP-based	New	■■■■➔		
Network Day&Night PoE Camera	IP-based	----	New	■■■■➔	
Network Matrix Decoder	IP-based	----	----	New	■■➔

High-Density Hybrid IP CCTV system:



Specification:

Model no.:

nVS-32	: 32ch Video Encoder
nVS-48	: 48ch Video Encoder
nVS-64	: 64ch Video Encoder

Electrical:

Operating System	: Linux
Video Format	: NTSC/ PAL
Video Input (Analog Camera)	
nVS-32	: BNC x 32
nVS-48	: BNC x 48
nVS-64	: BNC x 64
Video Codec	: H.264 & MJPEG
Video Stream	: up to four (4) streams simultaneous
Video Resolution	: either D1 or/ CIF
Video Frame Rate	: 30/ 25 fps (NTSC/ PAL), D1/ CIF
Total Video Frame Rate	
nVS-32	: 960/ 800 fps, D1/ CIF
nVS-48	: 1,440/ 1,200 fps, D1/ CIF
nVS-64	: 1,920/ 1,600 fps, D1/ CIF
Motion Detection	: Built-in
Network Interface	: 1,000Base-T (RJ45)
Network Bandwidth	: 1, 000Mbps
Protocol	: TCPIP, TMSP
Hot Swap	: Yes
Hardware Watch Dog	: Built-in
RS485 interface	: x1

Power Requirement:

Power Input	: Redundant x2
Input Range	: 90 to 265 Vac, 47 to 63 Hz
Power Consumption	: 150W (max)

Mechanical:

Enclosure	: Metal
Dimension	: 490 x 430 x 219 mm (L x W x H)
Weight	
nVS-32	: 4.7 KGS
nVS-48	: 5.1 KGS
nVS-64	: 5.5 KGS

Environment:

Operating	: 0 to 50 °C, 10% to 80% R.H. (Non-condensing)
Storage	: (-)10 to (+) 70 °C, 5% to 95% (non-condensing)

Approvals : CE, LVD, FCC, RoHs

Add-on Video Encoder Blade (for nVS32 & nVS-64 only)

Model number	: nVS-8B
Operating System	: Linux
Video Format	: NTSC/ PAL
Video Input	: BNC x 8
Video Codec	: H.264 & MJPEG video stream
Video Stream	: up to four (4) streams simultaneous
Video Resolution	: either D1 or/ CIF
Video Frame Rate	: 30/ 25 fps, D1/ CIF
Total Video Frame Rate	: 240/ 200 fps, D1/ CIF
Motion Detection	: Built-in



Telexper Inc.

33235 Transit Avenue,
Union City, CA 94587 U.S.A.
Tel : +1.510.477 9150
Fax: +1.510.477 9644

Telexper International Inc.

3F-3, No. 2, Chien Pa Rd.,
Chung Ho City, Taipei 235,
Taiwan, R.O.C.
Tel : +886.2.6620 5898
Fax: +886.2.6620 6909



CE FC RoHS

OEM/ODM
Project Support