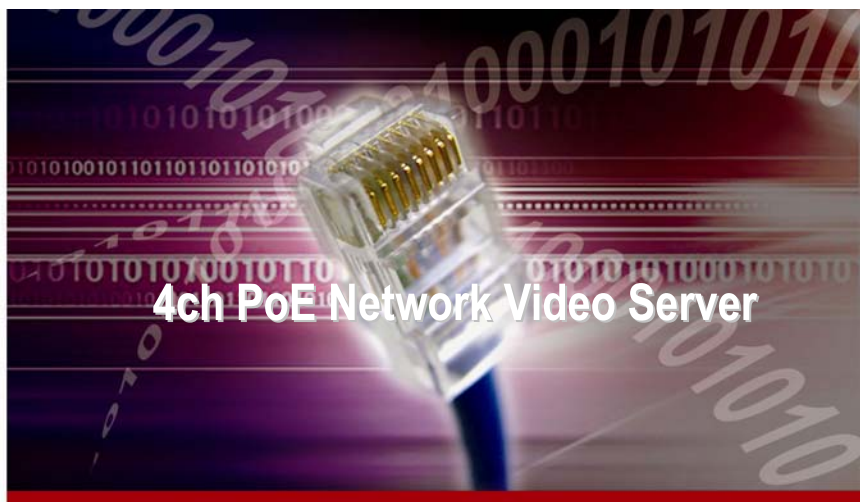


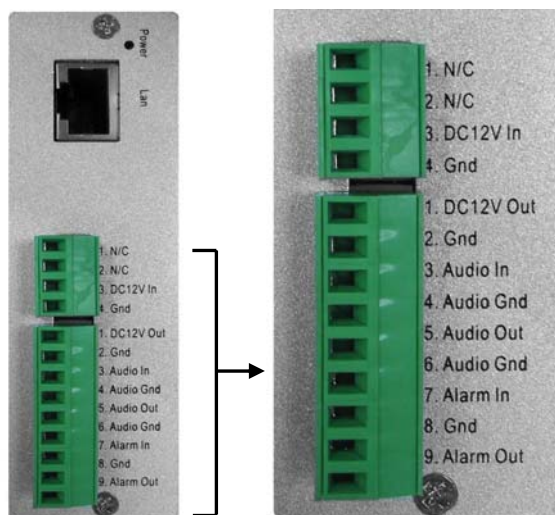
## 3i CCTV iP, integration, intelligent



## 4ch PoE Network Video Server

### Features:

- Upgrade any Traditional Analogue Camera to the IP System
- H.264 & M-JPEG Dual-type Codec
- De-centralized & Modularized Design
- Unlimited Number of Camera Expansion at any time
- No Power Cable to Camera Required
- Reduce minimum 50% of Installation Cost
- Less Maintenance Cost than Analogue System
- Up to 15fps@D1 Display & Recording
- Multi Video Audio Streaming Design



### Other Components of Telexper IP System:

- Gigabit PoE Hub ( nHub series)
- Network Hybrid DVR (nHybrid Sereis)
- Network Commander Station ( nCS series)
- Network Matrix Decoder (nMD series)
- Network CMS software (nCMS series)
- Network Video Recorder (nVR series)
- Network Alarm GPIO Expansion Module (nGPIO)

### Model no

nVS-4QP

4ch Network Video Server built-in PoE

### Standard:

IEEE820.3i  
IEEE802.3u  
IEEE802.3af

10Base-T, 10Mbit/s  
100Base-T, 100Mbit/s  
Power over Ethernet (PoE)

### Interface:

RJ-45 x 1  
Video Input x 4 (BNC)  
Audio Input x 1  
Audio Output x 1  
Alarm Input x 1  
Control Output x 1  
Power to camera x 1  
External Power Input x 1

### Video & Audio:

Video format works with either NTSC or PAL analogue cameras  
Video Codec H.264 & M-JPEG video stream  
Video/ Audio stream Up to 60fps@D1 / @CIF  
Picture Resolution D1(720x480) / CIF(360x240)  
Motion Detection built-in  
Web Server built-in  
Hardware Watchdog built-in

### Power Requirement:

Built-in PD Device Yes (IEEE802.3af)  
Effective Distance 100m long (away from PoE HUB)  
External Power Input DC12V, 1A (min)  
Power Supply DC12V, 8W (max)

### Mechanical:

Enclosure Aluminum material  
Installation Wall mount (Bracket supplied)  
Dimension & Weight 120 x 101 x 33 mm, <400g

### Environment:

Operating 0 to 50 °C, 10% to 80% R.H. (non-condensing)  
Storage (-)10 to (+) 70 °C, 5% to 95% (non-condensing)  
Approvals CE, FCC, RoHS