

Digital Public Address and Emergency Sound System



Features:

- This system encompasses:
 - Embedded WinXP OS Server
 - Resistive Touch Panel
 - Shotgun Microphone
 - Plug & Play, Ubiquitous Audio Servers (to process audio input & output signals in each server)
 - Via LAN & WAN over IP or VPN, Wireless or Fiber cable
 - Support IGMP Switch
- Easy Configuration from Software
- Audio signals and control data are entirely digital
- Independent 15 regional broadcasts at the same time or One multiple-region broadcast
- Support MP3 conversion to WAV audio format (ADPCM)
- Up to 256 Audio Servers
- De-centralized & Modularized Design for quick future scalability
- Broadcast Server & Broadcast Client available (advance function)
- Best digital alternative to current mixer pre-amplifier, audio processing device, multi zone amplifier and music scheduling system.



Functions:

- Easy to import, export, and save audio files to HDDs (HDD not included)
- Adjustable audio volume
- Scheduling in each of 16 Music Group
- Auto replay of playlist music after cut-in or emergency announcements
- Audio-recording via microphone or playlist and broadcast it as music & sound
- NTP Time synchronization
- 4 External Triggers via audio source
- Connection to 256 audio servers (nVS-1PA)
 - Connect to a speaker unit
 - PoE-enabled, IEEE802.3af
 - Transmit audio via IP/TCP network
 - Aluminum housing, with wall mount bracket



Telexper International Inc.

33235 Transit Avenue, Union City, CA 94587 USA / Phone: 1-510-477-9150 / Fax: 1-510-477-9634

3F.-3, No.2, Jian 8th Rd., Zhonghe Dist., New Taipei City 235, Taiwan (R.O.C.) / Phone: +886-2-6620-5898 / Fax: +886-2-6620-6909 / <http://www.telexper.com> / E-mail: sales-tw@telexper.com

Specifications:

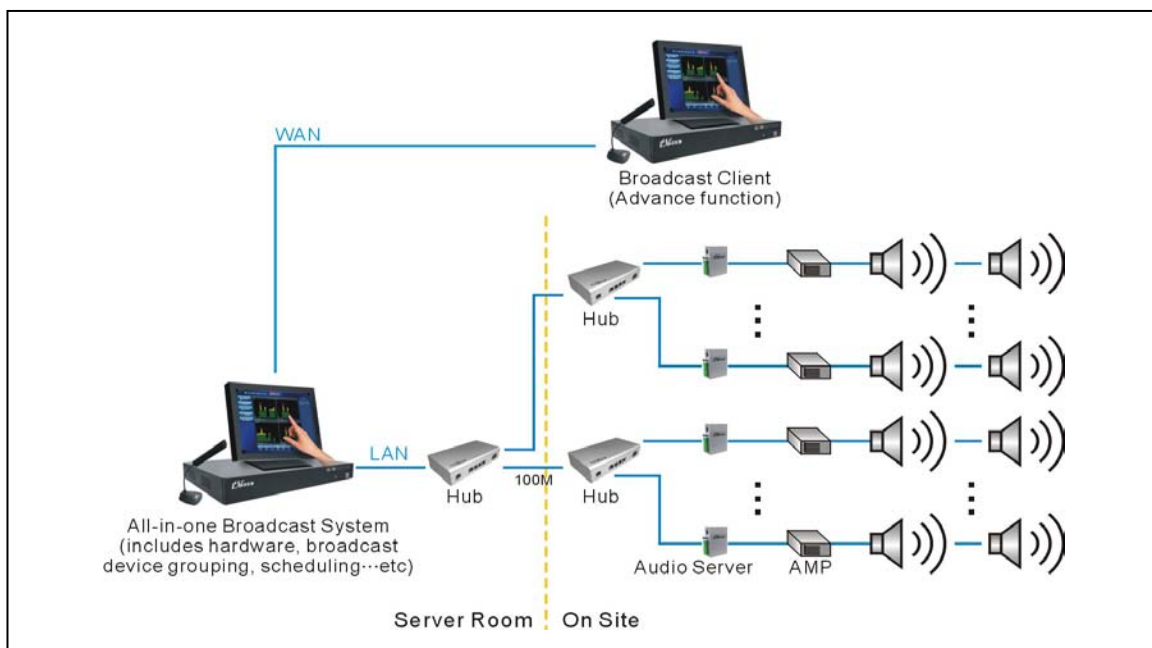


Digital Network Public Address Server	
Model no	Slim168-PA
Operation System	Windows Embedded O/S
User Interface	17 inch touch-screen
Hardware Watchdog	Yes
Mic Input	x 1 (XLRM-Type)
AUX Input	X 3 (3.5mm phone jack)
Line Output	x 1 (3.5mm phone jack)
RS-232	x 1
Port	x 1 (1000Base-T x 1 RJ-45)
Protocol	TCP/IP.UDP.HTTP.RTSP/RTP.SMTP.FTP
Power Requirement	AC 100~230V, 50~60Hz
Construction	Metal material
Installation	Standard 19" 1U rack
Operating	0 to 50°C, 10% to 80% R.H
Storage	(-)10 to (+) 70°C, 5% to 95%
Approval	CE, FCC, RoHs

1ch Network Audio Server built-in PoE	
Model no.	nVS-1PA
Standard	IEEE820.3i, 10Base-T, 10Mbit/s IEEE802.3u, 100Base-T, 100Mbit/s IEEE802.3af, Power over Ethernet (PoE)
Audio Compression	ADPCM
RJ-45	x 1
Audio Output	x 1
Power Output	x 1, DC12V, 8W (max)
External Power Input	x 1, DC12V, 1A(min)
Enclosure	Aluminum material
Installation	Wall mount (Bracket supplied)
Dimension & Weight	99 x 76 x 33 mm, < 300g
Operating	0 to 50 °C , 10% to 80% R.H. (non-condensing)
Storage	(-)10 to (+) 70 °C , 5% to 95% (non-condensing)
Approval	CE, FCC, RoHs

Applications:

- Few-region option system: small business, restaurants, retail spaces, houses of worship.
- Complex multi-region option system: supermarket, office buildings, hotels, schools, public buildings, convention centers.



Telexper International Inc.

33235 Transit Avenue, Union City, CA 94587 USA / Phone: 1-510-477-9150 / Fax: 1-510-477-9634

3F-3, No.2, Jian 8th Rd., Zhonghe Dist., New Taipei City 235, Taiwan (R.O.C.) / Phone: +886-2-6620-5898 / Fax: +886-2-6620-6909 / <http://www.telexper.com> / E-mail: sales-tw@telexper.com