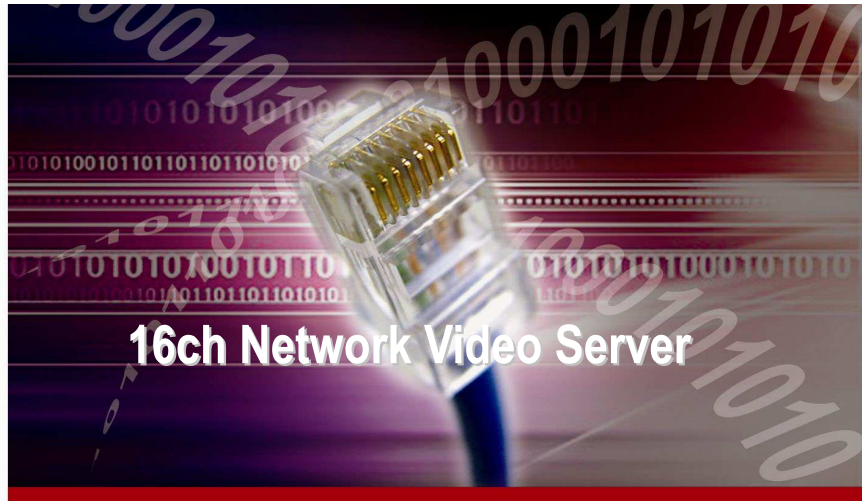


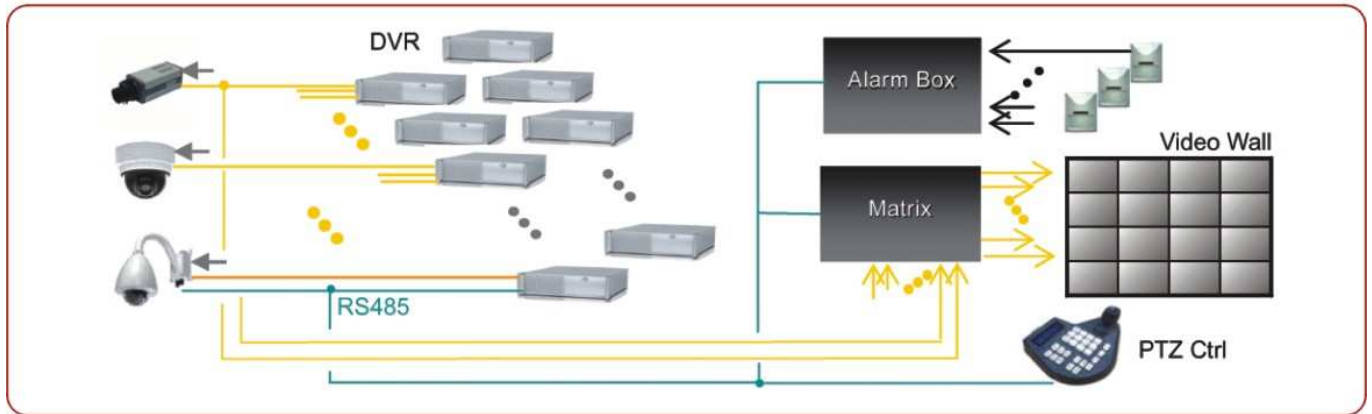
3i CCTV
iP, integration, intelligent



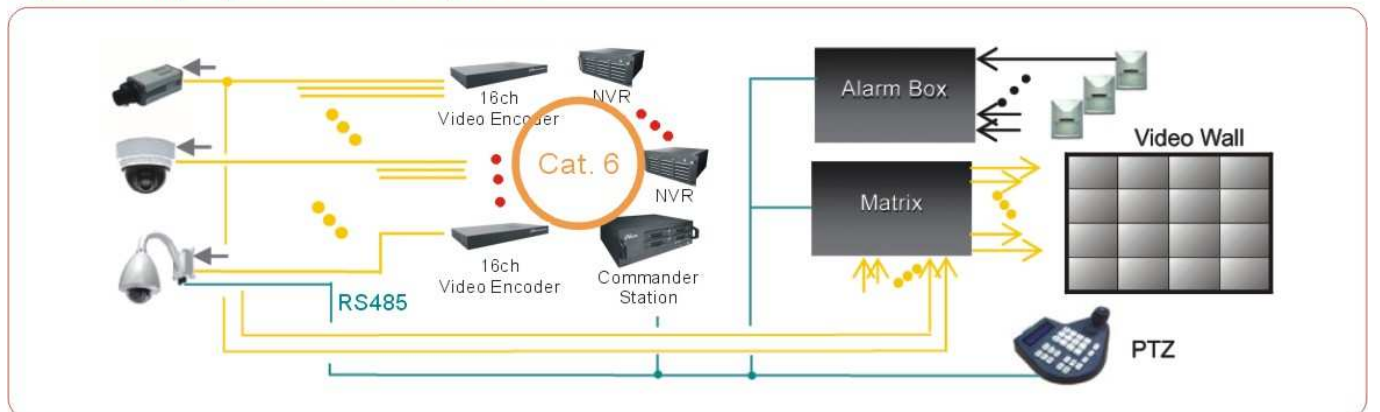
Features:

- H.264 / Motion-JPEG Video Codec
- Up to 240 fps @D1 Resolution Video Stream
- Up to three (3) Video simultaneous streams
- The most cost-effective video encoder solution
- 1U Height 19" rack mountable cabinet

High-Density Analog CCTV system:



High-Density Hybrid IP CCTV system:



Best Way to High-Density IP CCTV:

Equipment Description	System Type	Way to IP World			
		Transition Phase			100% IP CCTV
Analog Camera	Analog		Broken	-----	-----
Digital Video Recorder	Analog	Broken	-----	-----	-----
Matrix	Analog			Broken	-----
PTZ Controller	Analog				
Network Video Encoder	IP-based	New			
Network Video Recorder	IP-based	New			
Commander Station Ultimate	IP-based	New			
Network Day&Night PoE Camera	IP-based	-----	New		
Network Matrix Decoder	IP-based	-----	-----	New	

Specification:

Model no

nVS-16 Slim 16ch Video Encoder

Electrical:

Operating System Linux
 Video Format NTSC/ PAL
 Video Input
 (Analog Camera) BNC x 16
 Video Codec H.264 & M-JPEG
 Video Stream Up to three(3) simultaneous streams
 Video Resolution D1 or CIF (Optional)
 Video Frame Rate 15/ 12.5 fps (NTSC/ PAL) , D1/ CIF
 Total Video Frame
 Rate 240/200 fps, D1/ CIF
 Motion Detection Built-in
 Network Interface 1,000Base-T (RJ45)
 Network Bandwidth 1, 000Mbps
 Protocol TCP/IP, TMSP
 Hardware Watchdog Built-in

Power Requirement:

Input Range 90 to 265 Vac, 47 to 63 Hz
 Power Consumption 150W (max)

Mechanical:

Enclosure Metal material
 Dimension (L x W xX H) 432 x 295 x 45 mm
 Weight 3.5 KGS

Environment:

Operating 0 to 50 °C , 10% to 80% R.H.
 Storage (-)10 to (+) 70°C , 5% to 95%

Approvals

CE, LVD, FCC, RoHS

Other Components of Telexper IP System:

- Gigabit PoE HUB (nHub series)
- Hybrid DVR (nHybrid series)
- Network Commander Station (nCS series)
- Network Matrix Decoder (nMD series)
- Network Central Management Software (nCMS series)
- Network Video Server (nVS series)
- Network Alarm GPIO Expansion Module (nGPIO)

TMSP: Telexper Multiple Stream Protocol



Telexper International Inc.

3F.-3, No.2, Jian 8th Rd., Zhonghe Dist.,
 New Taipei City 235, Taiwan (R.O.C.)
 Tel : +886-2-6620 5898
 Fax: +886-2-6620 6909
 E-mail: sales@telexper.com



Headquarters

333235 Transit Avenue,
 Union City, CA 94587 U.S.A.
 Tel : +1.510.477 9150
 Fax: +1.510.477 9644
 Email: sales-us@telexper.com

www.telexper.com



OEM/ODM Project Support